



## SNÍMAČE TEPLOTY TR10-H

Série TR10-H

TR10H-14341539

Snimač teploty PT100 -50-250°C 250x6mm BSZ bez závitu



- PT100, PT1000
- Teplota -196 až 600°C
- Připojení M, NPT
- Média voda, plyny, oleje
- ATEX, IECEx

### POPIS PRODUKTU

### SPECIFIKACE

Insertion length	250 mm
Materiál kontaktní části	Nerez ocel 316Ti
Material Sensor Body	Nerez ocel 316Ti
Materiál těla	Hliník
Plug diameter	6 mm
Přesnost klasifikace	Třída B
Provozní teplota max.	250 °C
Provozní teplota min.	-50 °C
Teplota okolí do	80 °C
Teplota okolí od	-40 °C
Třída krytí	IP65

Connection head

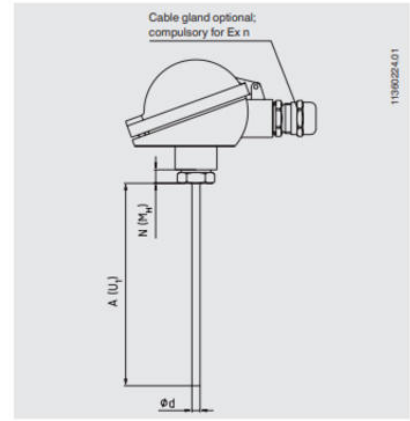
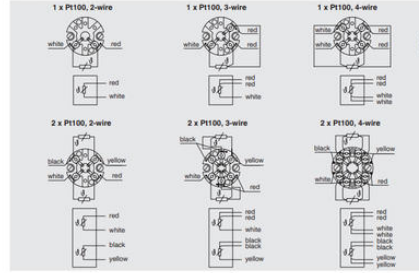


Model	Material	Cable entry thread size	Ingress protection (max.)	Cap	Surface	Connection to neck tube
JS	Aluminium	M16 x 1.5	IP65	Cover with 2 screws	Blk. lacquered	M24 x 1.5, 1/2 NPT
BS	Aluminium	M20 x 1.5 or 1/2 NPT	IP65, IP68	Flat cap with 2 screws	Blk. lacquered	M24 x 1.5, 1/2 NPT
BSZ	Aluminium	M20 x 1.5 or 1/2 NPT	IP65, IP68	Spherical hinged cover with cylinder head screw	Blk. lacquered	M24 x 1.5, 1/2 NPT
BSZ-H	Aluminium	M20 x 1.5 or 1/2 NPT	IP65, IP68	Raised hinged cover with cylinder head screw	Blk. lacquered	M24 x 1.5, 1/2 NPT
BSZ-H (ex cable outlet)	Aluminium	2 x M20 x 1.5 or 2 x 1/2 NPT	IP65, IP68	Raised hinged cover with cylinder head screw	Blk. lacquered	M24 x 1.5
BSZ-H / DIN10	Aluminium	M20 x 1.5 or 1/2 NPT	IP65	Raised hinged cover with cylinder head screw	Blk. lacquered	M24 x 1.5, 1/2 NPT
BS5	Aluminium	M20 x 1.5 or 1/2 NPT	IP65	Spherical hinged cover with clamping lever	Blk. lacquered	M24 x 1.5, 1/2 NPT
BS5-H	Aluminium	M20 x 1.5 or 1/2 NPT	IP65	Raised hinged cover with clamping lever	Blk. lacquered	M24 x 1.5, 1/2 NPT
BS5-K	Stainless steel	M20 x 1.5	IP65	Precision-cast screw-on lid	Blk. electropolished	M24 x 1.5
BSZ-K	Plastic	M20 x 1.5 or 1/2 NPT	IP60	Spherical hinged cover with cylinder head screw	Black	M24 x 1.5
BSZ-HK	Plastic	M20 x 1.5 or 1/2 NPT	IP65	Raised hinged cover with cylinder head screw	Black	M24 x 1.5

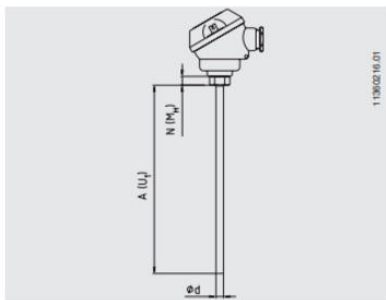
Model	Explosion protection				
	without	Ex (I) (gas) Zone 0, 1, 2	Ex (I) (dust) Zone 20, 21, 22	Ex II (gas) Zone 2	Ex II (dust) Zone 22
JS	x	x	-	-	-
BS	x	x	-	-	-
BSZ	x	x	x	x	x
BSZ-H	x	x	x	x	x
BSZ-H (ex cable outlet)	x	x	x	x	x
BSZ-H / DIN10	x	x	-	-	-
BS5	x	x	-	-	-
BS5-H	x	x	-	-	-
BS5-K	x	x	-	-	-
BSZ-K	x	x	-	-	-
BSZ-HK	x	x	-	-	-

Electrical connection (colour code per IEC/EN 60751)

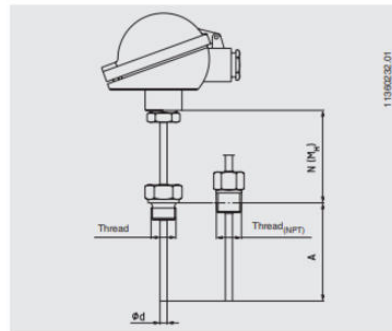
■ Connection head form B



113/02/24.01



113/02/10.01



113/02/32.01