



SNÍMAČE TEPLOTY TR10-F

Série TR10-F

TR10F-14369107

Snímač teploty PT100 3-tráď -50-500°C 250x9 DN25 form2F



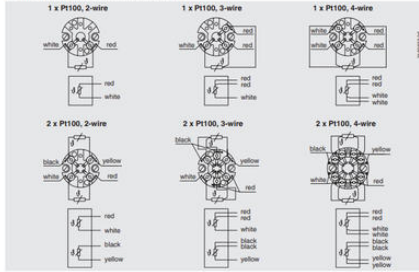
- PT100, PT1000
- Teplota -196 až 600°C
- Připojení příruba
- Média voda, plyny, oleje
- ATEX, IECEx, SIL2, GOST

POPIS PRODUKTU

SPECIFIKACE

Délka	340 mm
Insertion length	250 mm
Inside diameter	7 mm
Materiál kontaktní části	Nerez ocel 316Ti
Materiál těla	Hliník
Neck length	0,065 m
Plug diameter	9 mm
Provozní teplota max.	500 °C
Provozní teplota min.	-50 °C
Teplota okolí do	80 °C
Teplota okolí od	-40 °C
Tlaková odolnost	16 bar
Třída krytí	IP65

Electrical connection (colour code per IEC-EN 60753)



Model	Material	Cable entry thread size	Ingress protection (max.)	Explosion protection (Zone 1, 2)	Cap	Surface	Connection to neck tube
BS	Aluminum	M20 x 1.5 or 1/2 NPT	IP65, IP68	-	Flat cap with 2 screws	Blue, lacquered	M24 x 1.5, 1/2 NPT
BSZ	Aluminum	M20 x 1.5 or 1/2 NPT	IP65, IP68	-	Spherical hinged cover with cylinder head screw	Blue, lacquered	M24 x 1.5, 1/2 NPT
BSZ-H	Aluminum	M20 x 1.5 or 1/2 NPT	IP65, IP68	-	Raised hinged cover with cylinder head screw	Blue, lacquered	M24 x 1.5, 1/2 NPT
BSZ-H (2x cable outlet)	Aluminum	2 x M20 x 1.5 or 2 x 1/2 NPT	IP65, IP68	-	Raised hinged cover with cylinder head screw	Blue, lacquered	M24 x 1.5
BSZ-H / DH10	Aluminum	M20 x 1.5 or 1/2 NPT	IP65	-	Raised hinged cover with cylinder head screw	Blue, lacquered	M24 x 1.5, 1/2 NPT
BSS	Aluminum	M20 x 1.5 or 1/2 NPT	IP65	-	Spherical hinged cover	Blue, lacquered	M24 x 1.5, 1/2 NPT
BSS-H	Aluminum	M20 x 1.5 or 1/2 NPT	IP65	-	Raised hinged cover with clamping lever	Blue, lacquered	M24 x 1.5, 1/2 NPT
BVS	Stainless steel	M20 x 1.5	IP65	-	Physicon-rod screw-on lid	Black, electrophoretic	M24 x 1.5
BSZ-A	Plastic	M20 x 1.5 or 1/2 NPT	IP65	-	Spherical hinged cover with cylinder head screw	Black, electrophoretic	M24 x 1.5
BSZ-HK	Plastic	M20 x 1.5 or 1/2 NPT	IP65	-	Raised hinged cover with cylinder head screw	Black	M24 x 1.5

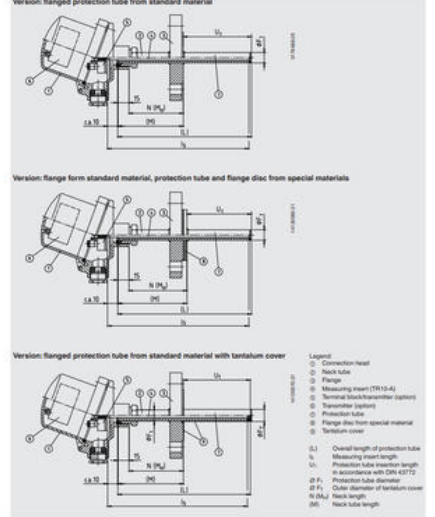
Model	Explosion protection				
	Without	Ex I (gas)	Ex I (dust)	Ex II (gas)	Ex II (dust)
BS	x	x	x	-	-
BSZ	x	x	x	x	x
BSZ-H	x	x	x	x	x
BSZ-H (2x cable outlet)	x	x	x	x	x
BSZ-H / DH10	x	x	x	-	-
BSS	x	x	x	-	-
BSS-H	x	x	x	-	-
BVS	x	x	x	-	-
BSZ-A	x	x	x	-	-
BSZ-HK	x	x	x	-	-

Cable entry

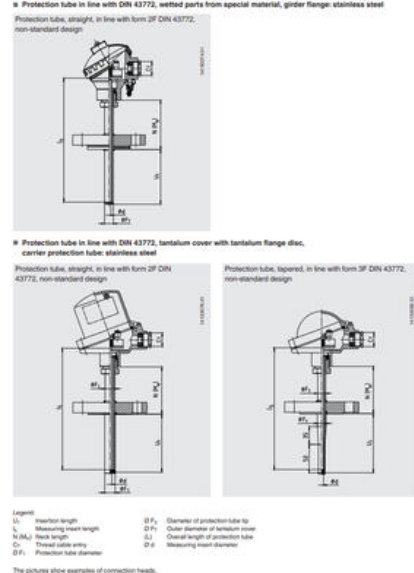
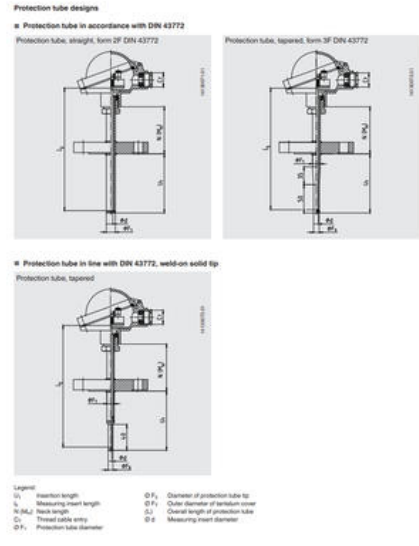


Cable entry	Colour	Ingress protection (max.)	Min./max. ambient temperature	Explosion protection without	Ex I (Zone 1)	Ex I (Zone 2)	Ex II (Zone 2)	Ex II (Zone 22)
Standard cable entry	Black	IP65	-40 ... +80 °C	x	x	-	-	-
Plastic cable gland	Black or light blue	IP65, IP68	-40 ... +80 °C	x	-	-	-	-
Plastic cable gland, Ex e	Light blue	IP65, IP68	-20 ... +80 °C (standard) -40 ... +70 °C (optional)	x	x	-	-	-
Plastic cable gland, Ex e	Black	IP65, IP68	-20 ... +80 °C (standard) -40 ... +70 °C (optional)	x	-	x	x	-
Nickel-plated brass cable gland, Ex e	Black	IP65, IP68	-50 ... +40 ... +80 °C	x	x	x	x	-
Nickel-plated brass cable gland, Ex e	Black	IP65, IP68	-50 ... +40 ... +80 °C	x	x	x	x	-
Stainless steel cable gland	Black	IP65, IP68	-50 ... +40 ... +80 °C	x	x	x	x	-
Stainless steel cable gland, Ex e	Black	IP65, IP68	-50 ... +40 ... +80 °C	x	x	x	x	-
Plain threaded	-	IP60	-	x	x	x	x	x
2 x M20 x 1.5	-	IP65	-40 ... +80 °C	x	x	x	x	-
Junction box M12 x 1 (4-pin)	-	IP65	-40 ... +80 °C	x	x	x	x	-
Sealing plugs for transport	Transparent	-	-40 ... +80 °C	not applicable	transport protection	-	-	-

Components model TR10-F



Protection tube



Protection tube design	Material	Protection tube Ø	Suitable for measuring insert Ø	Connection to head
Straight, form 3F DIN 43772	Stainless steel 1.4371	9 x 1 mm	6 mm	M24 x 1.5 (standard threaded connection, male nut)
		11 x 2 mm	8 mm	
Tapered, form 3F DIN 43772	Stainless steel 1.4371	12 x 2.5 mm	6 mm	
		14 x 2.5 mm	8 mm	
Tapered, solid on solid tip, in line with DIN 43772, non-standard design	Stainless steel 1.4371	9 x 1 mm, tapered to 6 mm	3 mm	M24 x 1.5 (standard threaded connection, male nut)
		11 x 2 mm, tapered to 6 mm	6 mm	
Straight, in line with form 3F DIN 43772, non-standard design	2.4360 (MonelK00) / stainless steel 2.4810 (Inconel C716) / stainless steel 2.4610 (Inconel C4) / stainless steel 3.7005 (Titan Grade 2) / stainless steel	13.7 x 2.2 mm	6 mm	M24 x 1.5 (standard threaded connection, male nut)
		15 x 3 mm, tantalum cover 10 x 0.4 mm	8 mm	
Tapered, in line with form 3F DIN 43772, non-standard design	Tantalum / stainless steel	11 x 2 mm, tantalum cover 12 x 0.4 mm	6 mm	M24 x 1.5 (standard threaded connection, male nut)
		15 x 3 mm, tantalum cover 10 x 0.4 mm	8 mm	
Tapered, in line with form 3F DIN 43772, non-standard design	Tantalum / stainless steel	12 x 2.5 mm, tantalum cover 13 x 0.4 mm	6 mm	
		15 x 3 mm, tantalum cover 10 x 0.4 mm	8 mm	

Legend:
 l₁: Measuring length
 l₂: Measuring insert length
 N: Neck length
 C: Thread cable entry
 D_F: Protection tube diameter

Legend:
 l₁: Measuring length
 l₂: Measuring insert length
 N: Neck length
 C: Thread cable entry
 D_F: Protection tube diameter

Legend:
 l₁: Overall length of protection tube
 l₂: Measuring insert length
 N: Protection tube neck length in accordance with DIN 43772
 D_F: Protection tube diameter
 C: Outer diameter of neck screw
 N: Neck length
 D_H: Neck tube length

The pictures show examples of connection heads.